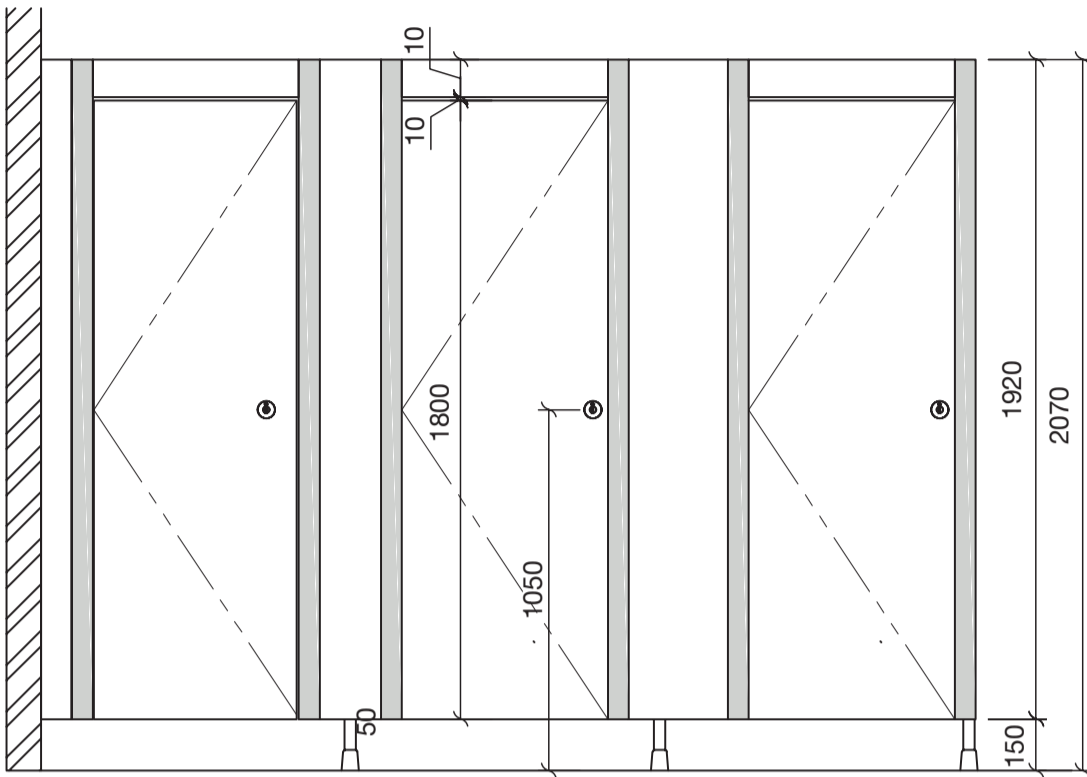


# PETAL

DO NOT SCALE OFF DRAWING  
USE FIGURE DIMENSIONS ONLY

## Front Elevation



Drawing  
Fin Cubicles

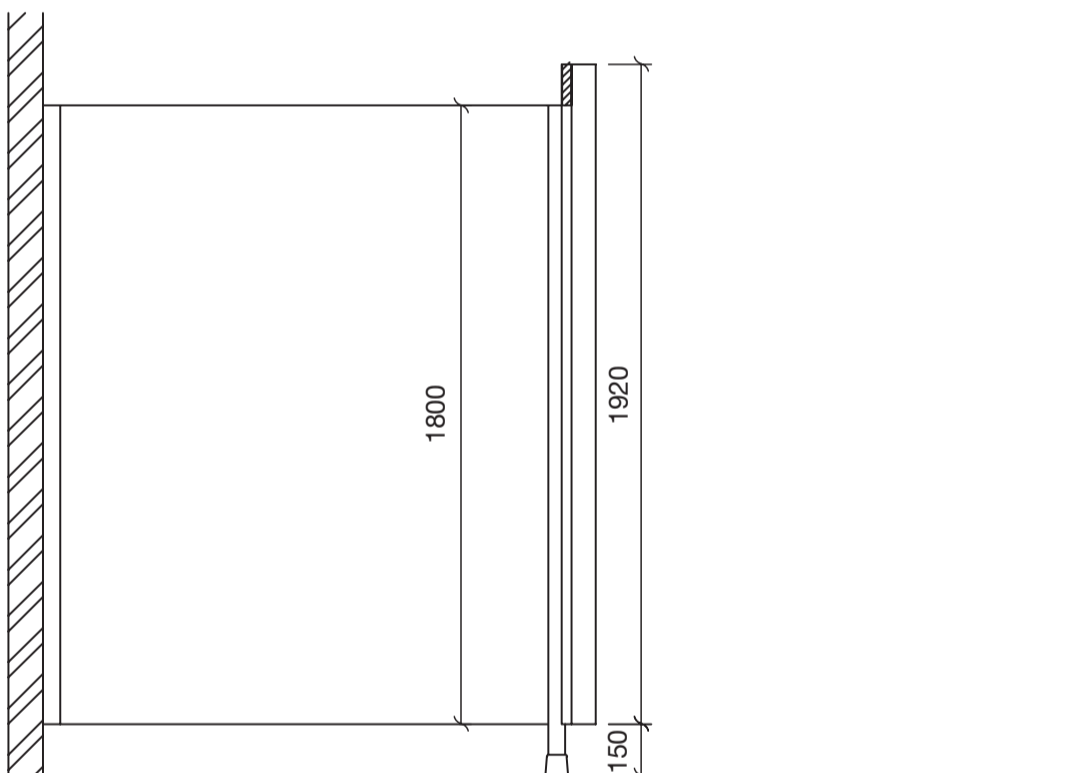
DWG by  
IH

Scale  
1:30 @A3

Date  
03.03.2022

DWG No  
FIN001

## Section



## Plan

